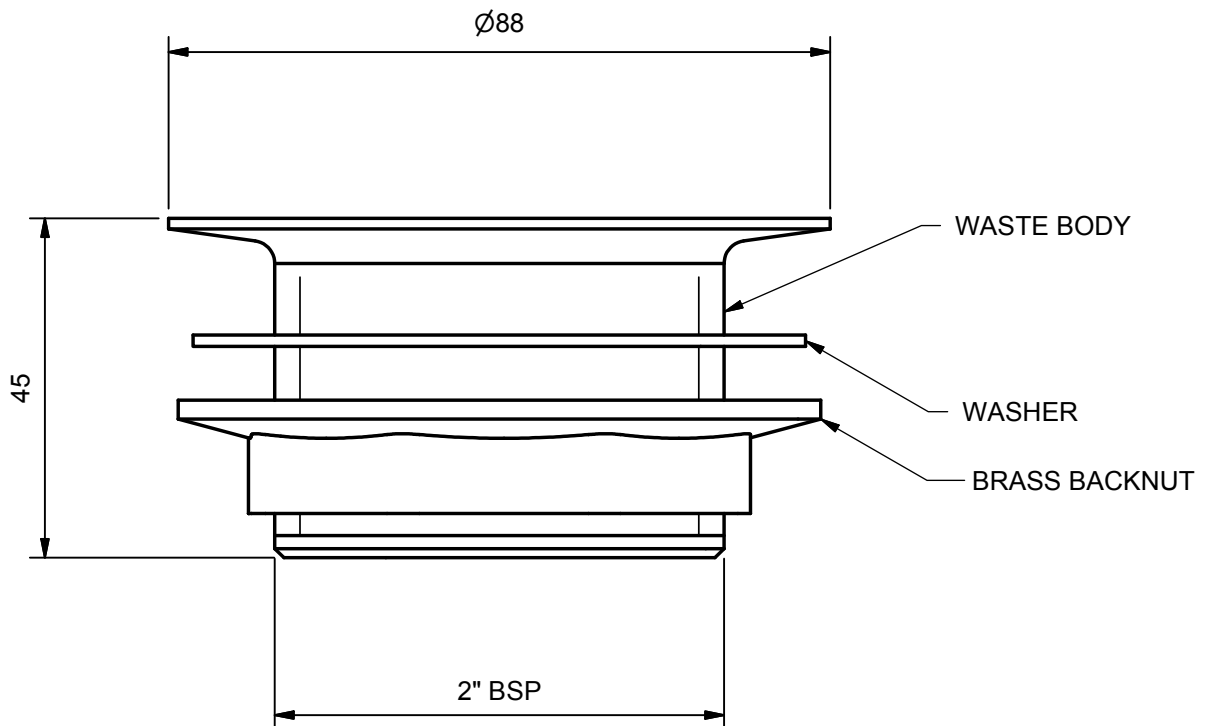
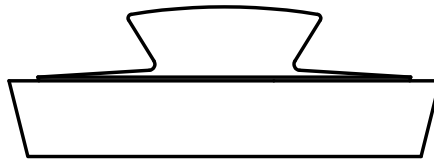


PRODUCT CODE  
Chrome BP&W50CP



As part of Ramtaps commitment to quality products, Ramtaps reserves the right to alter the design or specification of it's products without notice.

RAMTAPS PTY. LTD.  
556 Curtin Ave. East. Eagle Farm 4009.  
Ph. (07) 3633 6000. Fax (07) 3633 6050.

© 2009 All dimensions in mm.  
This drawing remains the property of Ramtaps and should not be copied or distributed without Ramtaps consent.

Title  
50mm BATH OR SINK WASTE 45mm  
TAIL WITH BOWEN STOPPER

Code:  
BP&W50CP

Edition  
01

Date of Issue:  
12/04/2011